

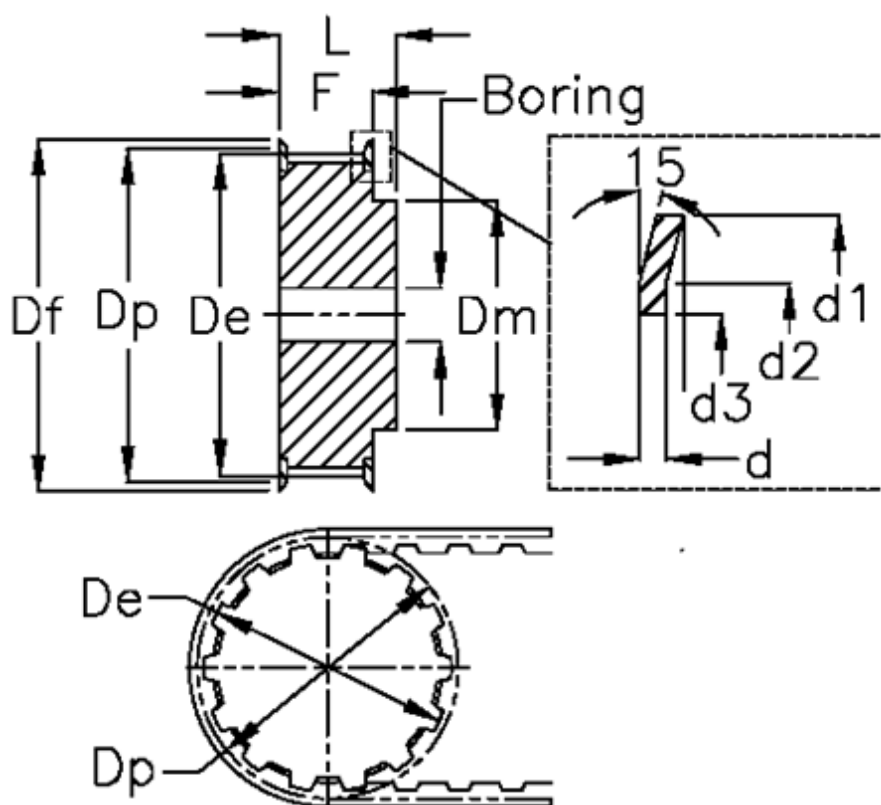
Data Sheet



Article number: 604142026015

Description: Timing belt pulley with hub
HTD 26 5M 15

Measures



Bore = 6	Dp = 41.38
d = 1	F = 20.5
d1 = 44	Flange type = F17
d2 = 40.5	L = 28
d3 = 32.5	Tooth number = 26
De = 40.24	Type = 5M
Df = 44	Weight = 0.22
Dm = 30	Width = 15